

## Intelligent Digital Thermostat TC5902 Series



### Features

- FULL GRAPHICAL MANAGEMENT CONTROL SOFTWARE FRONT END
- NETWORKABLE HVAC CONTROL
- LARGE BACK LIT LCD DISPLAY.
- MULTIPLE PROGRAMABLE TIMER OPTIONS
- ENVIRONMENTAL TRENDING INTELLIGENCE
- ENERGY MONITORING /ACTIVE RUN TIME DISPLAY
- INDIVIDUAL/ZONAL BILLING CALCULATIONS.
- PROGRAMABLE ENERGY SAVING NIGHT SET BACK
- HOTEL GUEST ROOM STATUS CONTROL.
- LONWORKS INTERGRATION FOR BMS SYSTEMS.
- OPTIONAL INFRARED CONTROL
- SEE ORDERING INFORMATION FOR FUNCTIONALITY.

Energy Conservation has become more important in everyday life. Greenwell HVAC intelligent thermostat controllers provide the ideal solution for management and accountability of distributed air conditioning systems. The Greenwell system provides full graphical management and control of a buildings distributed HVAC. Enabling efficient energy management plus individual control, accountability and billing.

Typical applications:

- High rise residential and commercial buildings
- Retail parks
- Schools and Hospitals
- District cooling neighborhoods
- Hotels (with added Night setback and room status control).
- Integration with smart home solutions.

### Thermostat Specification

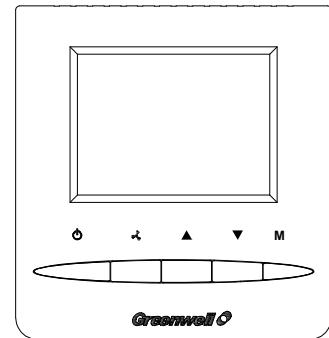
Display: LCD, Orange Backlight  
Control Type: On/Off or Chrono  
Memory Back-up: Rechargeable Cell  
Digital Clock Type:24Hrs/AM/PM  
Factory Preset Programme:Yes  
Control Temp. Range: 5-35°C, Off  
Thermostat /Frost mode: ≤ 5°C  
Network: RS485  
Network Node: 32 per zones  
Power Supply: 220VAC, 50/60Hz  
Power Consumption: 2W  
Rating of Relay Contact:2A  
Dimension: 87x90x14mm



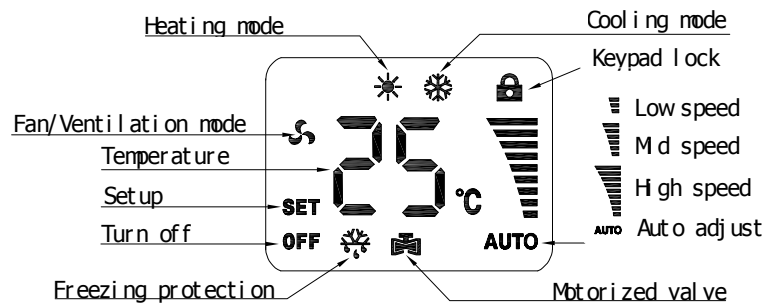
## Intelligent Digital Thermostat TC5902 Series

### Key Layout

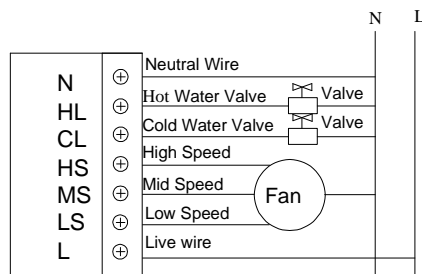
- ⏻ (Power switch): Turning on or off the thermostat.
- ⚙️ (Wind speed setup): Auto, low, mid, high levels.
- ▲ (Up): Increasing temperature, or used in other setups.
- ▼ (Down): Decreasing the temperature, or used in other setups.
- M (Mode setup): Heating/cooling/ ventilating modes.



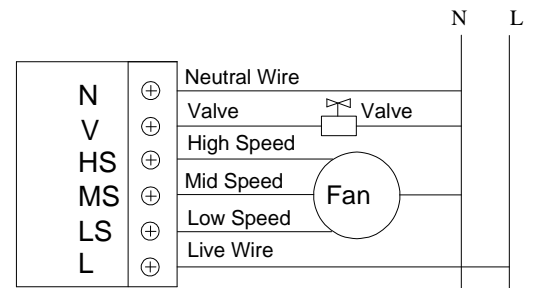
### Screen Layout



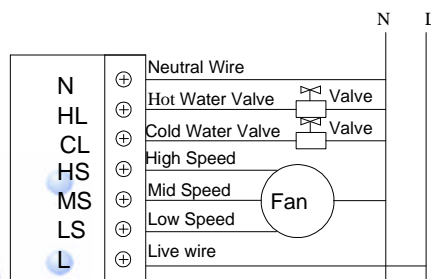
### Wiring Details



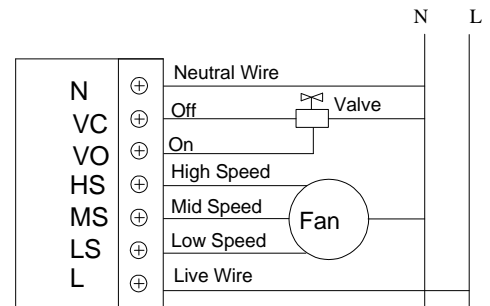
TC5902



TC5902-V2



TC5902-V4



TC5902-TV



www.gst.uk.com  
info@gst.uk.com

**GST England** Lion Court, Staunton Harold Hall, Melbourne Road, Ashby de la Zouch, Leicestershire, England LE65 1RT Tel: +44 1283 225 478 Fax: +44 1283 220 690

**GST Dubai** ZA04, Jebel Ali Free Zone, P.O.Box 17998, Dubai UAE Tel: +971 (0)4 8833 050 Fax: +971 (0)4 8833 053

**GST China** 80, Changjiang East Road, Economic & Technology Development Zone Qinhuangdao, Hebei, China Tel: +86(0)335 850 2383 Fax: +86 (0)335 850 7588



www.gst.uk.com  
info@gst.uk.com



Global System Technology PLC  
*The Intelligent Solution*

## Intelligent Digital Thermostat TC5902 Series

### Ordering Information:

Part No	Description
TC5902	Electronic LCD thermostat. Not networkable. Controls three-speed fan. Not to control motorized valve. Without backlight.
TC5902-B	Electronic LCD thermostat. Not networkable. Controls three-speed fan. Not to control motorized valve. With orange backlight.
TC5902V2	Electronic LCD thermostat for two-pipe system. Not networkable. Controls three-speed fan. Controls a two-wire valve. Without backlight.
TC5902V2-B	Electronic LCD thermostat for two-pipe system. Not networkable. Controls three-speed fan. Controls a two-wire valve. With orange backlight.
TC5902TV2	Electronic LCD thermostat for two-pipe system. Not networkable. Controls three-speed fan. Controls a three-wire valve. Without backlight.
TC5902TV2-B	Electronic LCD thermostat for two-pipe system. Not networkable. Controls three-speed fan. Controls a three-wire valve. With orange backlight.
TC5902V4	Electronic LCD thermostat for four-pipe system. Not networkable. Controls three-speed fan. Controls 2 two-wire valves. Without backlight.
TC5902V4-B	Electronic LCD thermostat for four-pipe system. Not networkable. Controls three-speed fan. Controls 2 two-wire valves. With orange backlight.

Note: Specifications are subject to change without notice.

**GST England** Lion Court, Staunton Harold Hall, Melbourne Road, Ashby de la Zouch, Leicestershire, England LE65 1RT Tel: +44 1283 225 478 Fax: +44 1283 220 690

**GST Dubai** ZA04, Jebel Ali Free Zone, P.O.Box 17998, Dubai UAE  
Tel: +971 (0)4 8833 050 Fax: +971 (0)4 8833 053

**GST China** 80, Changjiang East Road, Economic & Technology Development Zone Qinhuangdao, Hebei, China Tel: +86(0)335 850 2383 Fax: +86 (0)335 850 7588