



Intelligent Digital Thermostat

TC5902 Series

Description

Energy Conservation has become more important in everyday life. Greenwell HVAC intelligent thermostat controllers provide the ideal solution for management and accountability of distributed air conditioning systems. The Greenwell system provides full graphical management and control of a buildings distributed HVAC. Enabling efficient energy management plus individual control, accountability and billing.

Typical applications:

- High rise residential and commercial buildings
- Retail parks
- Schools and Hospitals
- District cooling neighborhoods
- Hotels (with added Night setback and room status control).
- Integration with smart home solutions.

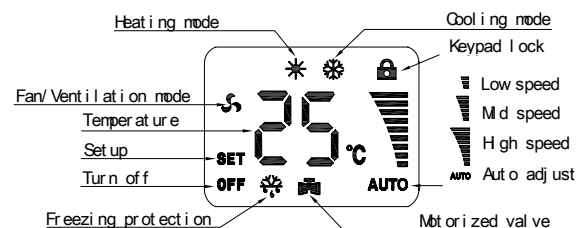
Features and Benefits

- Full graphical management control software front end
- Networkable HVAC Control
- Large backlit LCD Display
- Multiple programmable timer options
- Environmental trending intelligence
- Energy monitoring /Active run time display
- Individual/Zonal billing calculations
- Programmable energy saving night set back
- Hotel guest room status control
- LONWORKS integration for BMS system
- Optional infrared control

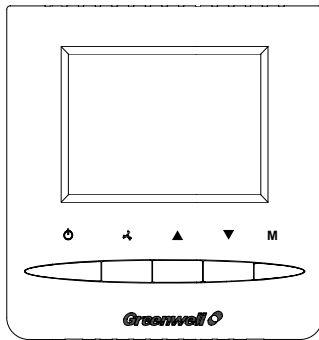
Technical Specifications

- Display: LCD, Orange Backlight
- Control Type: On/Off or Chrono
- Memory Back-up: Rechargeable Cell
- Digital Clock Type:24Hrs/AM/PM
- Factory Preset Programme:Yes
- Control Temp. Range: 5-35°C, Off
- Thermostat /Frost mode: $\leq 5^{\circ}\text{C}$
- Network: RS485
- Network Node: 32 per zones
- Power Supply: 220VAC, 50/60Hz
- Power Consumption: 2W
- Rating of Relay Contact:2A
- Dimension: 87x90x14mm

Screen Layout

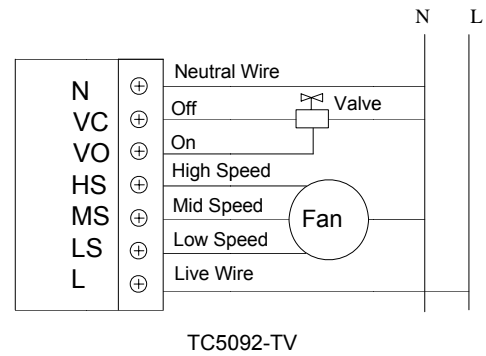
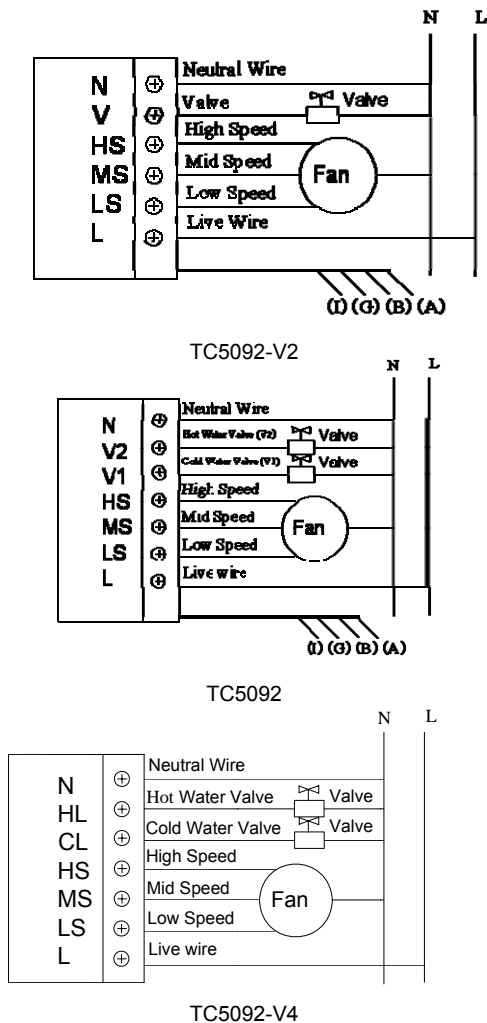


Key Layout



- ⏻ (Power switch): Turning on or off the thermostat.
- ⚙️ (Wind speed setup): Auto, low, mid, high levels.
- ▲ (Up): Increasing temperature, or used in other setups.
- ▼ (Down): Decreasing the temperature, or used in other setups.
- M (Mode setup): Heating/cooling/ ventilating modes.

Wiring Details



Ordering Information

Part Number: TC5902
Description: Electronic LCD thermostat. Not networkable. Controls three-speed fan. Not to control motorized valve. Without backlight.

Part Number: TC5902-B
Description: Electronic LCD thermostat. Not networkable. Controls three-speed fan. Not to control motorized valve. With orange backlight.

Part Number: TC5902V2
Description: Electronic LCD thermostat for two-pipe system. Not networkable. Controls three-speed fan. Controls a two-wire valve. Without backlight.

Part Number: TC5902V2-B
Description: Electronic LCD thermostat for two-pipe system. Not networkable. Controls three-speed fan. Controls a two-wire valve. With orange backlight.

Part Number: TC5902TV2
Description: Electronic LCD thermostat for two-pipe system. Not networkable. Controls three-speed fan. Controls a three-wire valve. Without backlight.

Part Number: TC5902TV2-B
Description: Electronic LCD thermostat for two-pipe system. Not networkable. Controls three-speed fan. Controls a three-wire valve. With orange backlight.

Part Number: TC5902V4
Description: Electronic LCD thermostat for four-pipe system. Not networkable. Controls three-speed fan. Controls 2 two-wire valves. Without backlight.

Part Number: TC5902V4-B
Description: Electronic LCD thermostat for four-pipe system. Not networkable. Controls three-speed fan. Controls 2 two-wire valves. With orange backlight.