



# Master Panel

GST-MP



## Description

The GST-MP Emergency Voice Evacuation System operates in conjunction with the Fire Alarm Control Panel (FACP) in a building to provide an automatic response to life safety emergencies.

The GST-MP includes all the necessary features to provide an effective voice evacuation system. The GST-MP can be custom configured to satisfy the needs of any high rise application.

The GST-MP system includes capacity for 6 channels of simultaneous audio. This provides for evacuation, alert stay-in-place, or other public address announcements and automatic messages.

Master Panel (GST-MP)  
Master Mic Control  
Switch control points-32, 48, 64, 80, 96 -expandable  
Dual Channel DMR  
High speed communication loop  
Integrated Master Fire Phone

**Optional:** Fiber Optic Network

## Features and Benefits

- True Multiplex 6 Channel Networked Audio
- Integrated Fire Phone: Modular System – Expandable Network up to 256 distributed panels totaling up to 2144 zones.
- Integrated Dual Channel Digital Message Repeater
- Live Microphone Page to any zone
- Fast RS-485 Communication Protocol
- Fully Supervised
- Easy Installation and Operation
- Natural Sound Voice Reproduction
- Built in Alarm and Alert Signals
- Up to 4 Minute Message Capacity
- Integrates with GST Fire Alarm Panel
- Interfaces with non GST Analog / Addressable and Microprocessor based Fire Alarm Panels.

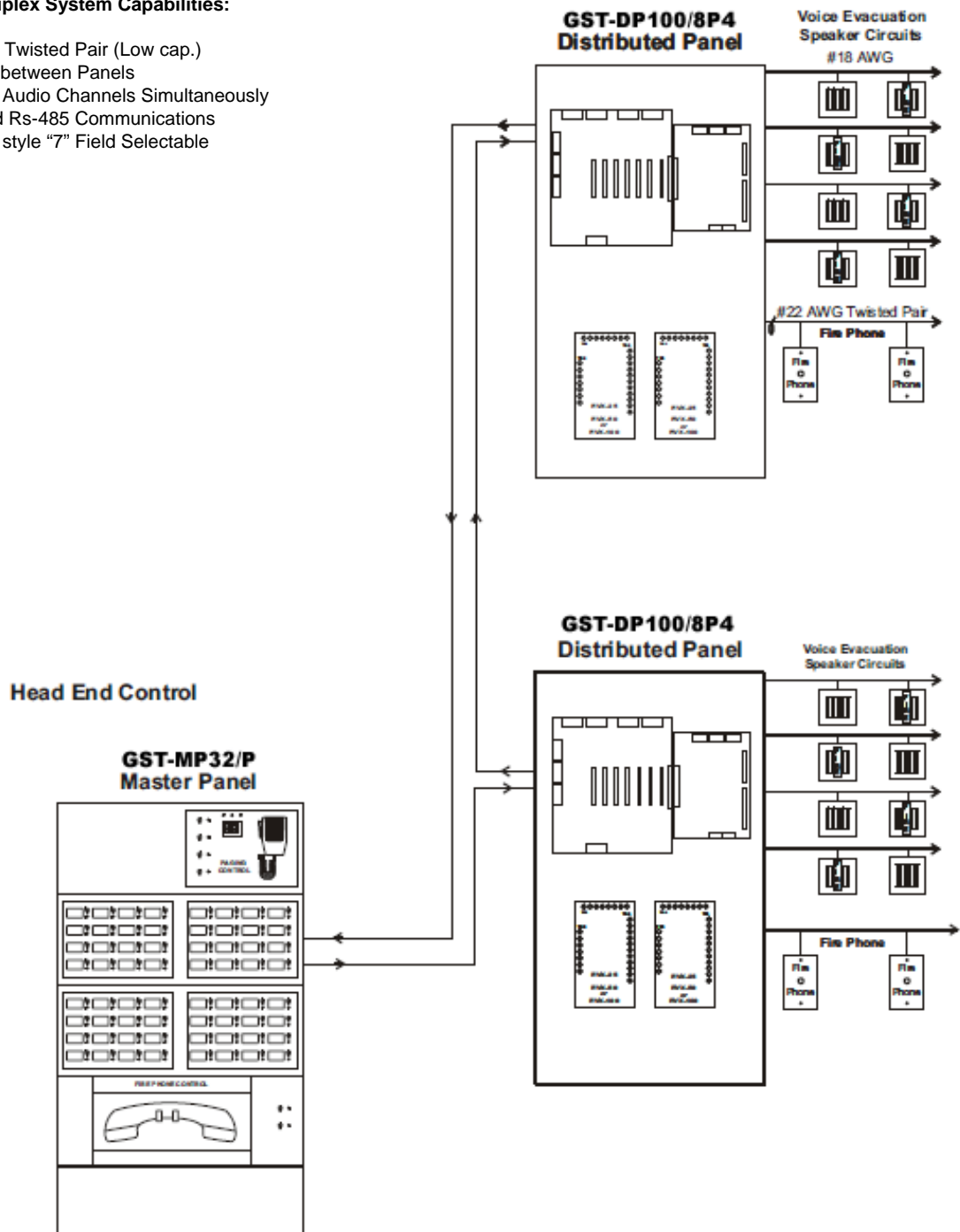
## Technical Specifications

- Approvals: UL, MEA
- Primary Power: 220-240VAC @ 50/60/Hz
- Battery Power: 24VDC
- Electrical Ratings: All Circuits @ 24VDC
- Back box Dim: 14.5 x 27 x 4" w.h.d.
- Color: Charcoal Grey (Red Optional)

## GST-MP – True Multiplex System Capabilities

### GST-MP – True Multiplex System Capabilities:

- Unshielded Twisted Pair (Low cap.)
- 4,000 Feet between Panels
- Data and 6 Audio Channels Simultaneously
- High Speed Rs-485 Communications
- Style "6" or style "7" Field Selectable





## Selection of Compatible Control Panels

Cards	Standby	Alarm
DDC	80 mA	80 mA
ASC	30 mA	30 mA
MFP	10 mA	10 mA
SSC	25 mA	25 mA
SLC	6 mA	6 mA
MMC	45 mA	45 mA
IOI	20 mA	20 mA

## Ordering Information



**Part Number:** GST-MP16

**Description:** Master Control Panel c/w 16 switch  
Expandable / 16 inputs, Enclosure use IFP8VT

**Pack Qty. per Box:** 1



**Part Number:** GST-MP16-P

**Description:** Master Control Panel c/w 16 switch  
Expandable / 16 inputs, Enclosure box

**Pack Qty. per Box:** 1

## Accessories



**Part Number:** GST-MFA

**Description:** Optional Master Fire Phone



**Part Number:** GST-SLC-A

**Description:** Optional 16 Switch and LED Assembly