



www.gst.uk.com
info@gst.uk.com

Mifare Card Lock A-737UMF1000-PP



Mifare Card Lock from GST's Advance Digital Electronic Locks (ADEL) are stand alone electronic locking system ideal for hotels, hostels, halls of residence, or any multi occupancy managed facility. Designed for reliable, cost-effective, strong, yet flexible access control door lock, suitable for both renovation and new construction installations.

GST Mifare Card locks complete with grade ANSI mortise, 1 deadbolt-4 latches, with built-in motor and alarm function. Powered by 4 standard 1.5V AA alkaline batteries. The 4 AA batteries, allowing around 2000 openings or, approximately 1-1.5 years of battery life, virtually eliminate maintenance issues. Do Not Disturb indication-The Led flashes red when the dead bolt is thrown, to indicate the room is occupied. Mifare card locks are provided complete with a mechanical override key for complete piece of mind. Easy to install, operate and maintain. Available in stainless steel or brass finishes.

Features

- Stand alone electronic lock with RF technology
- 13.56Mhz technology, built with EEPROM memory
- Up to 15 different application can be stored on a mifare card
- Unique 32-bit random serial number per card for more security against anti-cloning
- Data retention of 10 years, write endurance 1000,000 times
- Solid stainless steel handle and cover.
- Cast-steel Integrative structure, solid and durable.
- RF card adopt America TI company RF card technology, endure high temperature
- The smart mortise has the function of auto check, auto repair and auto alarm.
- The card encoding, canceling, encryption and setting can be done with the GST encoder.
- The hotel management software is also offered compatible with most hotel software packages.
- Micro-CPU located in back body of lock; Reading-CPU located in front body of lock, its modularization design, stable running and easy maintenance.
- Normal-open state can be set for meeting.
- Outside handle is fixed while in locking state, the handle can be turned only in unlocking state.
- Deadbolt indicating: as deadbolt draw out, LED will flash in red to show someone in the room.
- Using only the card, the information of the lock and consumption can both be accessed. The card can also be used the credit card within the hotel.
- Perfect electronic key management, thirteen types of keys in five levels, for complete structured key management.

GST England Lion Court, Staunton Harold Hall, Melbourne Road, Ashby de la Zouch, Leicestershire, England LE65 1RT Tel: +44 1283 225 478 Fax: +44 1283 220 690

GST Dubai ZA04, Jebel Ali Free Zone, P.O.Box 17998, Dubai UAE
Tel: +971 (0)4 8833 050 Fax: +971 (0)4 8833 053

GST China 80, Changjiang East Road, Economic & Technology Development Zone Qinhuangdao, Hebei, China Tel: +86(0)335 850 2383 Fax: +86 (0)335 850 7588



www.gst.uk.com
info@gst.uk.com

Mifare Card Lock

A-737UMF1000-PP



Components

Front cover: RF Sensor, LED indicator, handle and cylinder lid

Back cover: Handle deadbolt knob

Mortise: with 5-bolt and signal output.



Technical Specification

Mifare Card	Capacity: 8K EEPROM; It has 16 sectors, and one sector is divided to 4 areas, each area has 16 bytes; every card has its own serial number. Each sector has its own code which controls its using; every card has its own serial number. No power required, with built in antenna inside, circuit with encrypted control logic and communication logic are included; Data Retention: 10 years Read/Write Cycle: 100,000 times; Working temperature: -20°C ~50°C (humidity 90%) Working frequency: 13.56MHZ Communication rate: 106 KBPS Inducing distance: <=10 cm
Power supply	standard 4X1.5V AA alkaline batteries
Static Current	<8uA
Motor working current	120mA
Ambient Temp	-10°C to 60°C
Emergency unlocking	The door can be opened even if the deadbolt has been applied.
Battery life	1-2 years to subject to usage.
Open time	Turning the handle to open the door after inserting the card is valid only once within 10 seconds, after that the door will be locked again automatically. The buzzer in the lock will beep to warn the user if the door isn't closed after opening the door within 15 seconds.
Low voltage warning	When CPU working voltage is under 4.5V, the indicator will be in red when the card is inserted in the lock the lock can still be opened dozens of time before the batteries are replaced.
Mechanical key	The separate emergency mechanical structure will allow the opening by the mechanical key in emergency.
Installation request	Only to be installed in the wooden doors, with the thickness between 38mm and 55mm, and if the door surface is decorated, the distance between the decorative edge and the edge of the door must be over 120mm.

GST England Lion Court, Staunton Harold Hall, Melbourne Road, Ashby de la Zouch, Leicestershire, England LE65 1RT Tel: +44 1283 225 478 Fax: +44 1283 220 690

GST Dubai ZA04, Jebel Ali Free Zone, P.O.Box 17998, Dubai UAE
Tel: +971 (0)4 8833 050 Fax: +971 (0)4 8833 053

GST China 80, Changjiang East Road, Economic & Technology Development Zone Qinhuangdao, Hebei, China Tel: +86(0)335 850 2383 Fax: +86 (0)335 850 7588



www.gst.uk.com
info@gst.uk.com



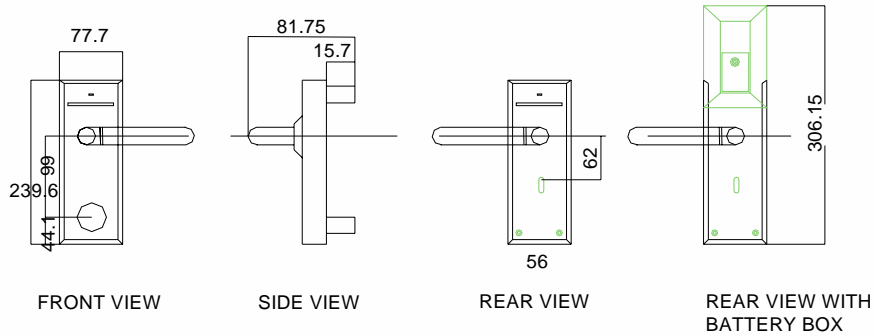
Global System Technology PLC

The Intelligent Solution

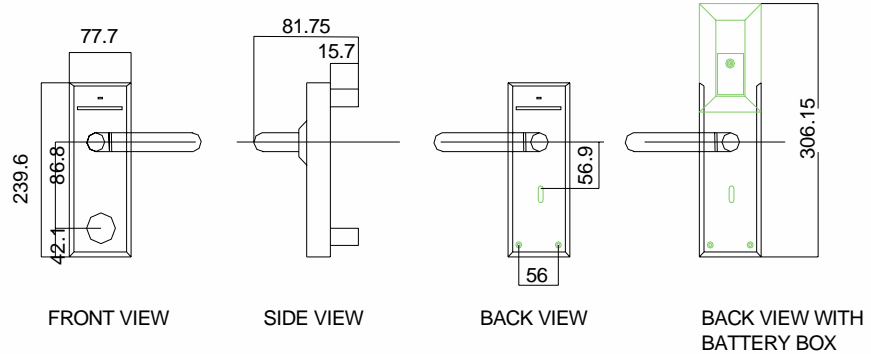
Mifare Card Lock A-737UMF1000-PP

Installation

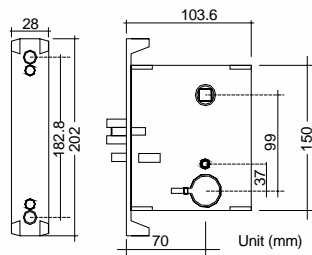
Model 1000 A



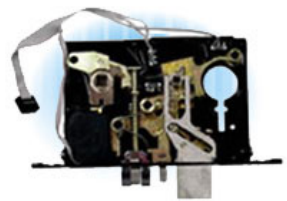
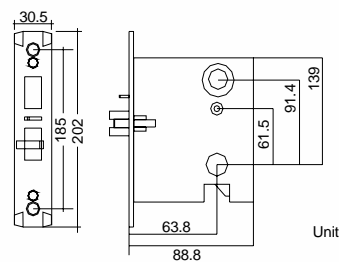
Model 1000 B



ANSI Lock Case A



ANSI Lock Case B



Emergency Cylinder

IC card lock supplied with mechanical override cylinder and with a cylinder concealer for added security.



GST England Lion Court, Staunton Harold Hall, Melbourne Road, Ashby de la Zouch, Leicestershire, England LE65 1RT Tel: +44 1283 225 478 Fax: +44 1283 220 690

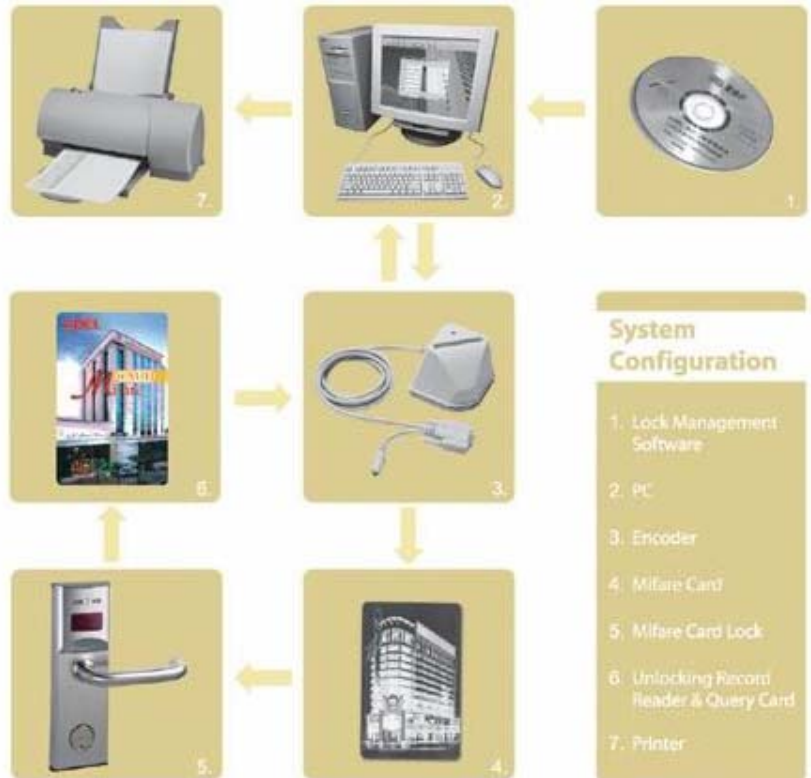
GST Dubai ZA04, Jebel Ali Free Zone, P.O.Box 17998, Dubai UAE
Tel: +971 (0)4 8833 050 Fax: +971 (0)4 8833 053

GST China 80, Changjiang East Road, Economic & Technology Development Zone Qinhuangdao, Hebei, China Tel: +86(0)335 850 2383 Fax: +86 (0)335 850 7588

Mifare Card Lock A-737UMF1000-PP

System Configuration

- ▶ Uses SQL Server to manage door lock software
- ▶ software is provided with Detailed instructions
- ▶ User friendly design for easy operation
- ▶ System preservation
- ▶ System parameters installation, encoder installation, and data base back up.
- ▶ Operator accountability.
- ▶ System operators are set by the hotel management
- ▶ Separation of the hierarchy for the hotel rooms
- ▶ Locking system for assigned rooms
- ▶ Good room card management function
- ▶ Perfect enquiry function
- ▶ Spare cards function
- ▶ Check rooms status function
- ▶ Date record for door lock software
- ▶ Multi-passage management function



System Configuration

1. Lock Management Software
2. PC
3. Encoder
4. Mifare Card
5. Mifare Card Lock
6. Unlocking Record Reader & Query Card
7. Printer

Ordering Information

Part No	Description
A-737UMFA1000PP	Mifare Card Lock, Stainless Steel, U Shape, Lock case A
A-737UMFB1000PP	Mifare Card Lock, Stainless Steel, U Shape, Lock case B

PP= stainless steel finish
RR= Brass finish,

Note: Specifications are subject to change without notice

GST England Lion Court, Staunton Harold Hall, Melbourne Road, Ashby de la Zouch, Leicestershire, England LE65 1RT Tel: +44 1283 225 478 Fax: +44 1283 220 690

GST Dubai ZA04, Jebel Ali Free Zone, P.O.Box 17998, Dubai UAE
Tel: +971 (0)4 8833 050 Fax: +971 (0)4 8833 053

GST China 80, Changjiang East Road, Economic & Technology Development Zone Qinhuangdao, Hebei, China Tel: +86(0)335 850 2383 Fax: +86 (0)335 850 7588

