



Entry Panel Distributor

DJ6316 Series

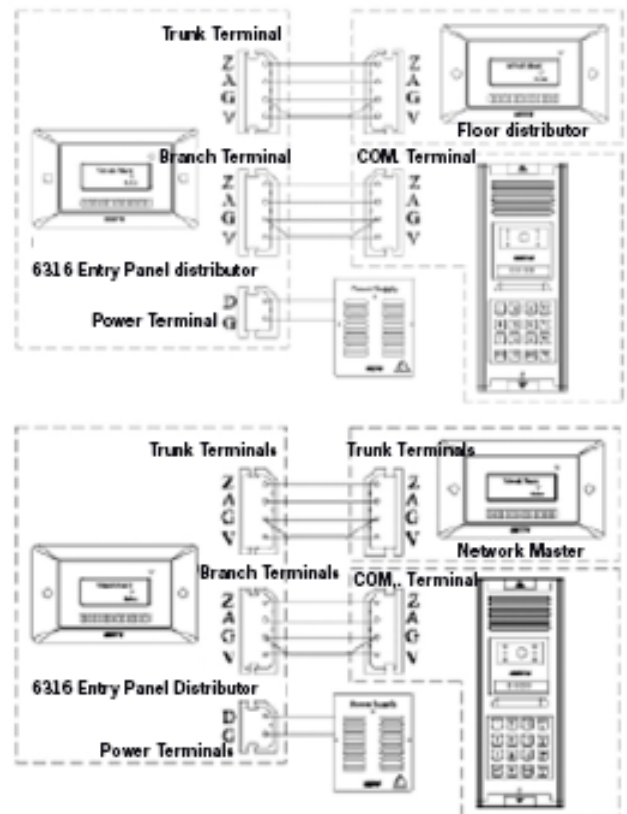
Features and Benefits

- Video distribution for the multiple entry panels in an entrance.
- LED Indicator
- Surface mount installation
- 3 branch per unit; max 3 entry panel
- Maximum 3 Entry panel per network

Technical Specifications

- Operating Voltage 18VDC
- Standby Current $\leq 35\text{mA}$
- Maximum Current $\leq 80\text{mA}$
- Ambient Temperature -10°C e~ $+55^{\circ}\text{C}$
- Relative Humidity 10%~95%, non condensing
- Dimension:
152mm×192mm×57mm(wall-mounted)
146mm×86mm×59mm(flush-mounted)
146mm×86mm×59mm(mounted)

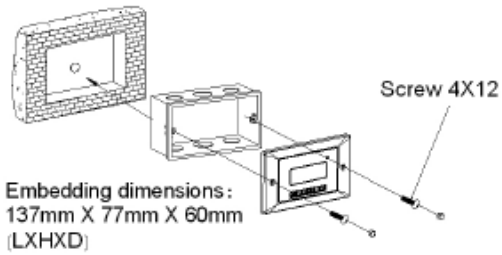
Wiring and Connection



Installation

> Flush-mounted

DJ6316Y Installation

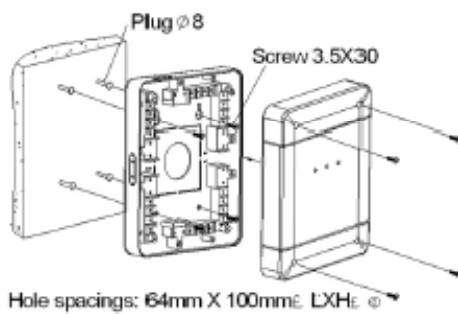


Embedding dimensions:
137mm X 77mm X 60mm
(LXHXD)

Hole spacing: 120mm

Wall-mounted

DJ6316B Installation



Hole spacings: 64mm X 100mm (LXH)

Ordering Information

Part Number: DJ6316B

Description: Wall-mounted Entry Panel Distributor

Part Number: DJ6316Y

Description: Wall-mounted Entry Panel Distributor