



## Series Desktop Concierge Panel

DJ6406 Series

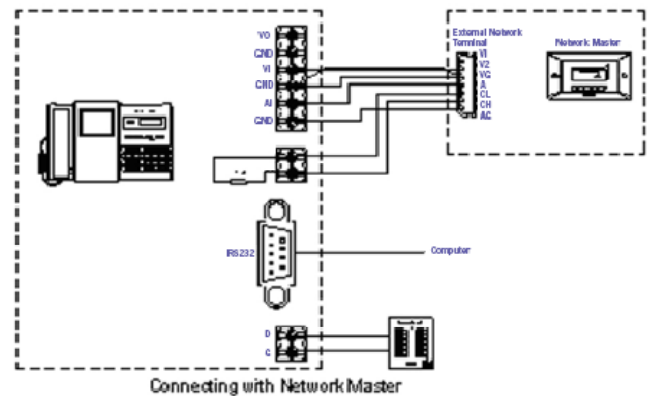
### Features and Benefits

- CAN BUS network technology, system work stable and reliable.
- Available Desktop, Wall or Rack mount installation
- User-friendly operating interface, LCD screens display.
- Built-in serial port for computer interface
- Video/audio communicate with video entry panel or main gate entry panel, audio communicate with residence handset.
- Open the entrance gate or main gate during talking.
- Auto/manually monitor the video of the video entry panels and main gate panels in turn.
- Receive the security information from residence handset or entry panels, with indicator, text display and sound prompt.
- Auto save active information of all network devices, such as gate open, fault, alarm and operation etc for query in real time.

### Technical Specifications

- Operating voltage: 14.5 VDC ~ 18.5 VDC
- Standby current: ≤65mA
- Operating current: ≤500mA (DJ6405/07)  
≤900mA (DJ6406/06C/08/08C)
- Ambient temperature: -10degC~+55degC
- Relative humidity: 10%~95%, non-condensing
- Dimension: 335mm×230mm×96mm (desktop)  
485mm×267mm×105mm (rack mounted)

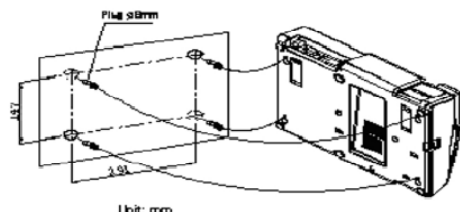
### Wiring



### Installation

Concierge Panel can be installed on the desktop or on the wall. When the Concierge Panel is installed on the wall, the mounting method is as follows

Wall Mounted



## Wiring

**Part Number:** DJ6405

**Description:** Desktop concierge panel

**Part Number:** DJ6406

**Description:** Desktop concierge panel

**Part Number:** DJ6406C

**Description:** Desktop concierge panel

**Part Number:** DJ6407

**Description:** Rack mounted concierge panel

**Part Number:** DJ6408

**Description:** Rack mounted concierge panel

**Part Number:** DJ6408C

**Description:** Rack mounted concierge panel